

PRESSURE SWITCH F5 and F5P

General

Assembly : every position

Features

Working temperature : -20 °C / 80°C

Switching frequency : 120 cycles/min

Switching accuracy : ~2% of full scale value @ 20°C

Fixed hysteresis : ~15% of full scale value @ 20 °C

Ranges: from 2 to 400 Bar

Setting point: (ON REQUEST)

Weight : 0,3 kg

Materials

Anodized aluminum

Seals : NBR

Connections

F5 > 1/4"BSPFemale

F5P > 1/4"BSPFemale

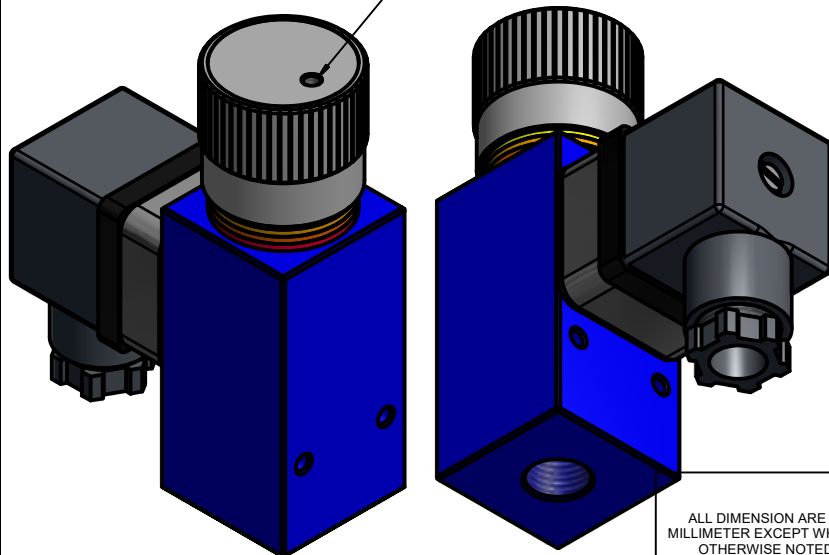
Electric features


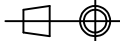
Max load : 5A / 250 VAC - 0,25A / 250 VDC

Contacts NO/NC

Connector DIN 43650

Protection DIN 40050 : IP65



| | | | | |
|--|--|---|-------------------------------|--------|
| | Date | Name: | DESCRIPTION: | SCALE: |
| DRAWN: | 04/09/2017 | ec | F5 range of pressure switches | 1:1,3 |
| CHECKED: | 05/09/2017 | aa | | |
| APPROVED: | | | | |
| Projection:ISO128 | FOX S.r.l. |  | DRAWING No/FILE NAME | SHEET |
|  | Via Romagna 6 20090 Opera (MI) ITALY | | F5-Datasheet | 1 of 1 |

ALL DIMENSION ARE IN MILLIMETER EXCEPT WHERE OTHERWISE NOTED

THIS DRAWING IS PROPERTY OF FOX S.r.l. COPYRIGHT , PATENTS AND ALL INDUSTRIAL PROPERTY RIGHTS RESERVED